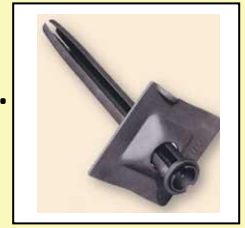


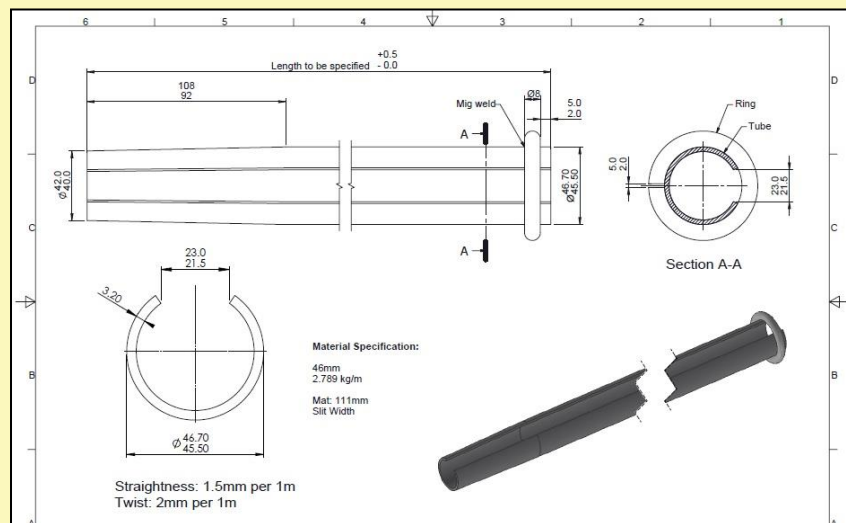
SPLIT SET

Daman Pipe is manufacturer and exporters of Split Set to the mining industry.



Description:

Split Sets are manufactured with 2 parts, a tube and matching domed bearing plate. The high Strength steel tube is slotted along its length. One end is tapered for easy insertion into bearing plate. With the bearing plate in place, the tube is riven into slightly smaller hole, using the same standard percussion drill that made the hole. As the tube of the split set slides into place, the full length of the slot narrows, causing radial pressure to be exerted against the rock over its full contact length.



Installation:

Split Set can be installed quickly, usually in less than a minute, using jack drill, a stopper, a roof bolting jumbo, or any other type of drill, installation can be done in a few steps:

1. Drill the hole.
2. Replace the drill steel with a driver tool.
3. Slide the plate on the tube.
4. Drive the tube in with the drill/drifter.



DAMAN ENTERPRISES

Regd. Office & Works : Plot No. 41, Phase 9, Industrial Area, Mohali (Pb.) INDIA.
Mobile : +91-78378-11191 Telefax : +91-172-5094744
Email : sales@damanpipe.com Website : www.damanpipe.com