

SPLIT SET / FRICTION BOLT, BEARING PLATE AND COMBI WASHERS

Daman Pipe is manufacturer and exporter of Split Sets / Friction Bolt along with Domed Bearing Plate and Combi Washers for underground mining and civil engineering projects.

Split Sets / Friction Bolts have been used as a primary roof support in the underground mining environment for many years. The Split Set consists of an open seamed high tensile steel tube with a face plate. One end is tapered for easy insertion into a pre-drilled hole. It is installed by driving the assembly into a marginally smaller hole than the split sets diameter and the welded steel ring then provides the necessary support to hold the washer plate in place. The split set then uses friction to anchor itself along the whole length of the bolt by relying on the radial spring force generated through compression of the tube. Split set technology is used worldwide by many mines for an extensive variety of mining applications.

Key Advantages of using Split Sets

- Fast and easy installation
- Full length support
- Effective support at any angle
- Axial and radial support
- No torquing or re-torquing
- No special equipment is required
- Improved rock stability



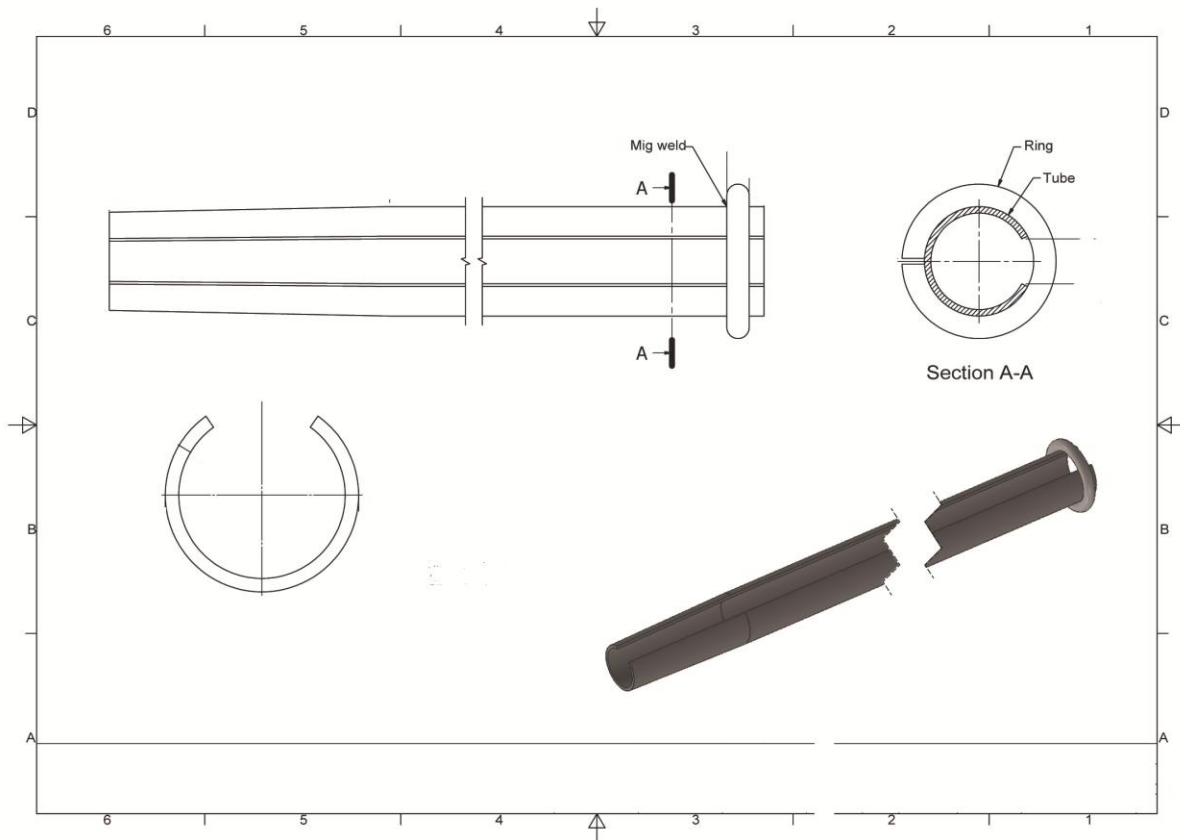
Easy Installation

The Split Set is a popular choice due to its easy installation. Once the hole is drilled, the driver tool drives the anchor into the wall. Installation time is typically less than a minute and there is no waiting time for grout to set, no tightening or torquing and no ongoing maintenance is needed after installation. This saves time, labour and additional grouting or resin expenses.

Sizes Available

Split Set / Friction Bolts are available in 33mm, 39mm, 41mm and 46mm diameters in a variety of lengths to suit the application of the mine. The domed bearing washer plates are available in 125 x 125 x 4mm and 150mm x 150mm x 4mm as well as the Combi Washer Plate 300mm x 270mm x 1.6mm.

Custom specifications are available as per orders.



DAMAN PIPE

Works: Plot No.: 41, Phase - 9, Industrial Area, S.A.S. Nagar, Mohali - 160062, Punjab, INDIA

Mobile: +91-78378-11191, Telefax: +91-172-5094744

Email: sales@damanpipe.com Website: www.damanpipe.com

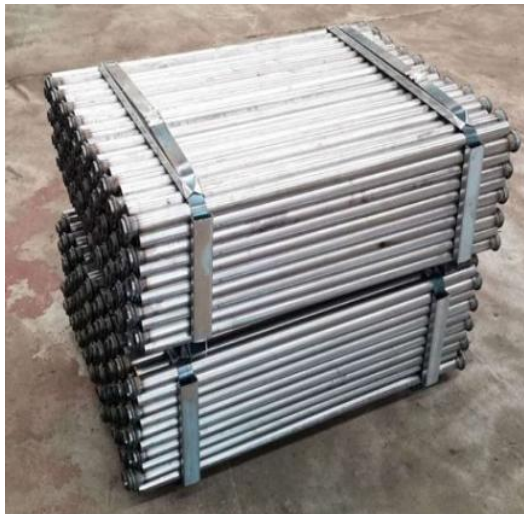
Material Specifications

Mechanical Tests performed by Independent NABL Approved laboratory conducted on our manufactured Split Set Friction Bolts to confirm the product specification and to offer complete transparency to the client. Clients can rely upon the standard, consistency and quality of our split set units as supported by these ongoing tests.

SPLIT SET MATERIAL SPECIFICATIONS	
YIELD STRENGTH	420 MPA
TENSILE STRENGTH	480 TO 620 MPA
ELONGATION %	16

Packaging

Split Sets Friction Bolts wraps and straps in high quality packaging with metal straps designed to withstand the rigours of transport by road and sea. This ensures damage is eliminated or kept to an absolute minimum during transport.



For any enquiries for our manufactured Split Sets / Friction Bolts please send us an email to sales@damanpipe.com or connect through WhatsApp at +91-7837811191



DAMAN PIPE

Works: Plot No.: 41, Phase - 9, Industrial Area, S.A.S. Nagar, Mohali - 160062, Punjab, INDIA

Mobile: +91-78378-11191, Telefax: +91-172-5094744

Email: sales@damanpipe.com Website: www.damanpipe.com